

# EDS-210A Series

## 8+2G/9+1G-port Gigabit unmanaged Ethernet switches



- > Up to 2 Gigabit uplinks for high bandwidth data aggregation
- > Multiple fiber ports with up to 4 100BaseSFP port combinations for maximum flexibility
- > IP30 metal housing
- > Redundant dual power input (12/24/48 VDC)
- > -40 to 75°C operating temperature range (T models)



### Introduction

The EDS-210A series 10-port industrial Ethernet unmanaged switches provide up to 2 Gigabit Ethernet ports and are ideal for applications that require high-bandwidth data convergence. In particular, the EDS-210A-1GSFP-1SFP is equipped with 1 Gigabit fiber SFP slot, whereas the EDS-210A-1GTX-1GSFP-4SFP is equipped with 1 Gigabit fiber SFP slot and 1 Gigabit copper port.

The EDS-210A unmanaged switches are also equipped with multiple 100M ports, up to 4 100BaseSFP slots, and 8 100BaseTX copper ports for maximum flexibility in port combinations and long-distance communications.

The EDS-210A series provides 12/24/48 VDC redundant power inputs, rugged IP30-rated metal housing, DIN-rail mounting, and high level EMI/EMC capability. In addition to its compact size for space-saving installation, each EDS-210A has passed a 100% burn-in test to ensure its quality. Moreover, the EDS-210A series has an operating temperature range of -10 to the 60°C with wide temperature (-40 to 75°C) models also available.

All of these features make the EDS-210A ideal for applications that require high-bandwidth transmission and data converge for uplink, such as video surveillance, tolling systems, ITS, and factory automation.

### Specifications

#### Technology

##### Standards:

IEEE 802.3 for 10BaseT  
 IEEE 802.3u for 100BaseT(X)  
 IEEE 802.3ab for 1000BaseT  
 IEEE 802.3z for 1000BaseX

**Processing Type:** Store and Forward

**Flow Control:** IEEE 802.3x flow control, back pressure flow control

#### Switch Properties

**MAC Table Size:** 8 K

**Packet Buffer Size:** 1 Mbit

#### Interface

##### EDS-210A-1GSFP-1SFP Series:

Fiber Ports: 100BaseSFP slot and 1000BaseSFP slot  
 RJ45 Ports: 10/100BaseT(X) auto negotiation speed, full/half duplex mode, and auto MDI/MDI-X connection  
 LED Indicators: PWR1, PWR2, 100M (fiber port), 1000M (fiber port), 10/100M (TP port)

##### EDS-210A-1GTX-1GSFP-4SFP Series:

Fiber Ports: 100BaseSFP slot and 1000BaseSFP slot  
 RJ45 Ports: 10/100/1000 BaseT(X), 10/100BaseT(X) auto negotiation speed, full/half duplex mode, and auto MDI/MDI-X connection  
 LED Indicators: PWR1, PWR2, 100M (fiber port), 1000M (fiber port), 10/100M (TP port), 10/100/1000M (TP port)

#### Power Requirements

**Input Voltage:** 12/24/48 VDC (9.6 to 60 VDC), redundant dual inputs

##### Input Current:

EDS-210A-1GSFP-1SFP: 0.45 A @ 24 V

EDS-210A-1GTX-1GSFP-4SFP: 0.45 A @ 24 V

**Overload Current Protection:** 3A

**Connection:** 2 removable 2-contact terminal block

**Reverse Polarity Protection:** Present

#### Physical Characteristics

**Housing:** Metal, IP30 protection

##### Dimensions:

45.8 x 134 x 105 mm (1.8 x 5.28 x 4.13 in)

##### Weight:

EDS-210A-1GSFP-1SFP: 520 g

EDS-210A-1GTX-1GSFP-4SFP: 570 g

**Installation:** DIN-rail mounting, wall mounting (with optional kit)

#### Environmental Limits

##### Operating Temperature:

Standard Models: -10 to 60°C (14 to 140°F)

Wide Temp. Models: -40 to 75°C (-40 to 167°F)

**Storage Temperature:** -40 to 85°C (-40 to 185°F)

**Ambient Relative Humidity:** 5 to 95% (non-condensing)

#### Standards and Certifications

**Safety:** UL 508

**EMI:** FCC Part 15 Subpart B Class A, EN 55022 Class A

**EMS:**

EN 61000-4-2 (ESD) Level 3, EN 61000-4-3 (RS) Level 3,  
EN 61000-4-4 (EFT) Level 3, EN 61000-4-5 (Surge) Level 3,  
EN 61000-4-6 (CS) Level 3, EN 61000-4-8, EN 61000-4-11

**Shock:** IEC 60068-2-27

**Freefall:** IEC 60068-2-32

**Vibration:** IEC 60068-2-6

Note: Please check Moxa's website for the most up-to-date certification status.

**MTBF** (mean time between failures)

**Time:**

EDS-210A-1GSF-1SFP: 2,469,233 hrs

EDS-210A-1GTX-1GSF-4SFP: 2,485,402 hrs

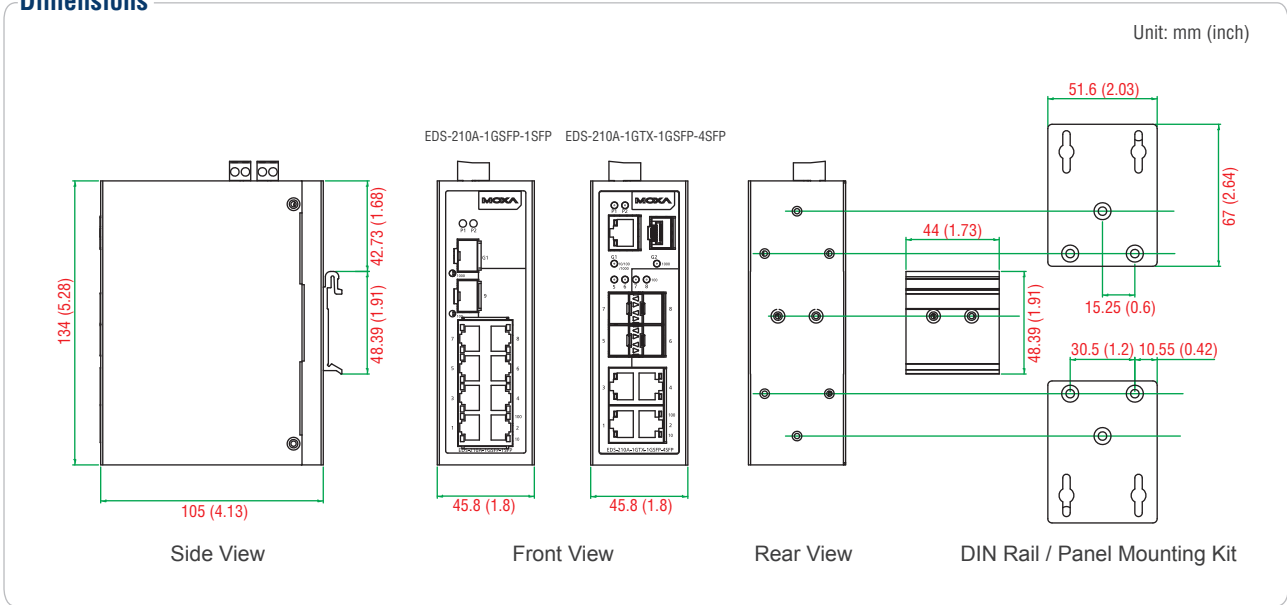
**Database:** Telcordia (Bellcore), GB

**Warranty**

**Warranty Period:** 5 years

**Details:** See [www.moxa.com/warranty](http://www.moxa.com/warranty)

**Dimensions**



**Ordering Information**

Available Models		Port Interface			
Standard Temperature (-10 to 60°C)	Wide Temperature (-40 to 75°C)	Gigabit Ethernet		Fast Ethernet	
		10/100/1000 BaseT(X)	1000BaseSFP	100BaseSFP	10/100BaseT(X)
EDS-210A-1GSFP-1SFP	EDS-210A-1GSFP-1SFP-T	0	1	1	8
EDS-210A-1GTX-1GSFP-4SFP	EDS-210A-1GTX-1GSFP-4SFP-T	1	1	4	4

Note: The EDS-210A series supports 100BaseSFP and 1000BaseSFP slots. See the SFP-1G and SFP-1FE datasheets for SFP module product information.

**Optional Accessories** (can be purchased separately)

**DR-4524/75-24/120-24:** 45/75/120 W DIN-rail 24 VDC power supplies

**MDR-40-24/60-24:** 40/60 W DIN-rail 24 VDC power supplies, -20 to 70°C operating temperature

**WK-51:** Wall mounting kit

**RK-4U:** 4U-high 19" rack mounting kit

**Package Checklist**

- EDS-210A switch
- Hardware installation guide (printed)
- Warranty card

# SFP-1G Series

## 1-port Gigabit Ethernet SFP modules



- > IEEE 802.3z compliant
- > Differential LVPECL inputs and outputs
- > TTL signal detect indicator
- > Hot pluggable LC duplex connector
- > Class 1 laser product, complies with EN 60825-1



## Specifications

### Interface

**Ethernet Ports:** 1

**Connectors:** Duplex LC Connector or Simplex LC Connector (WDM-type only)

**Note:** WDM-type SFP modules must be used in pairs (e.g., SFP-1G10ALC and SFP-1G10BLC)

**Note:** When connecting long distance SFP (SFP-ZX, EZX or EZX-120), please ensure at least 5 dB attenuation between both ends. Without attenuation, excessive optical power may damage the transceivers.

### Optical Fiber

	Gigabit Ethernet													
	SFP-SX	SFP-LSX	SFP-LX	SFP-LH	SFP-LHX	SFP-ZX	SFP-EZX	SFP-EZX-120	SFP-10A	SFP-10B	SFP-20A	SFP-20B	SFP-40A	SFP-40B
Wavelength	850 nm	1310 nm	1310 nm	1310 nm	1310 nm	1550 nm	1550 nm	1550 nm	TX 1310 nm, RX 1550 nm	TX 1550 nm, RX 1310 nm	TX 1310 nm, RX 1550 nm	TX 1550 nm, RX 1310 nm	TX 1310 nm, RX 1550 nm	TX 1550 nm, RX 1310 nm
Max. TX	-4 dBm	-1 dBm	-3 dBm	-2 dBm	1 dBm	5 dBm	5 dBm	3 dBm	-3 dBm		-2 dBm		2 dBm	
Min. TX	-9.5 dBm	-9 dBm	-9.5 dBm	-8 dBm	-4 dBm	0 dBm	0 dBm	-2 dBm	-9 dBm		-8 dBm		-3 dBm	
RX Sensitivity	-18 dBm	-19 dBm	-20 dBm	-23 dBm	-24 dBm	-24 dBm	-30 dBm	-33 dBm	-21 dBm		-23 dBm		-23 dBm	
Link Budget	8.5 dB	10 dB	10.5 dB	15 dB	20 dB	24 dB	30 dB	31 dB	12 dB		15 dB		20 dB	
Typical Distance	550 m <sup>a</sup>	2 km <sup>b</sup>	10 km <sup>c</sup>	30 km <sup>c</sup>	40 km <sup>c</sup>	80 km <sup>c</sup>	110 km <sup>c</sup>	120 km <sup>c</sup>	10 km <sup>c</sup>		20 km <sup>c</sup>		40 km <sup>c</sup>	
Saturation	0 dBm	-3 dBm	-3 dBm	-3 dBm	-3 dBm	-3 dBm	-3 dBm	-8 dBm	-1 dBm		-1 dBm		-1 dBm	

a. 50/125 μm, 400 MHz-km or 62.5/125 μm, 500 MHz-km @ 850 nm multi-mode fiber optic cable

b. 62.5/125 μm, 750 MHz-km @ 1310 nm multi-mode fiber optic cable

c. 9/125 μm single-mode fiber optic cable

**Note:** The actual communication distance depends on many factors, including connector loss, cable deployment, and the age of the cabling system. We recommend doing a link budget analysis and reserving a 3 dB margin for such factors.

### Environmental Limits

#### Operating Temperature:

Standard Models: 0 to 60°C (32 to 140°F)

Wide Temp. Models: -40 to 85°C (-40 to 185°F)

**Storage Temperature:** -40 to 85°C (-40 to 185°F)

**Ambient Relative Humidity:** 5 to 95% (non-condensing)

### Standards and Certifications

**Safety:** UL 60950-1, TÜV

### Warranty

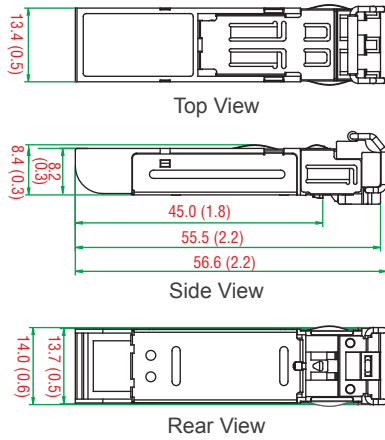
**Warranty Period:** 5 years

**Details:** See [www.moxa.com/warranty](http://www.moxa.com/warranty)

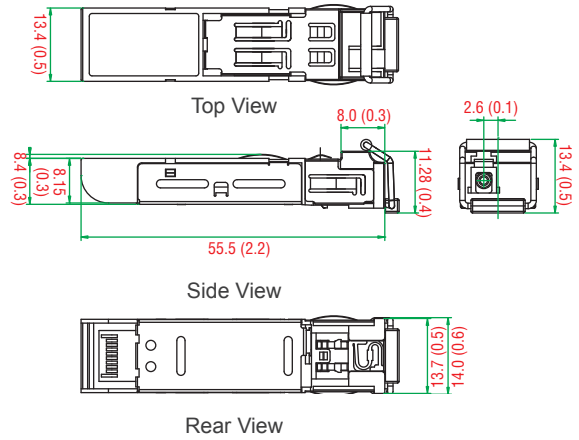
**Dimensions**

Unit: mm (inch)

**SFP-1G Series**



**SFP-1G Series (WDM Type)**



**: Ordering Information**

**SFP Modules**

Available Models		Port Interface							
Standard Temperature (0 to 60°C)	Wide Temperature (-40 to 85°C)	1000BaseSX, LC Connector, 0.5 km	1000BaseLSX, LC Connector, 2 km	1000BaseLX, LC Connector, 10 km	1000BaseLH, LC Connector, 30 km	1000BaseLHX, LC Connector, 40 km	1000BaseZX, LC Connector, 80 km	1000BaseEZ, LC Connector, 110 km	1000BaseEZ, LC Connector, 120 km
SFP-1GSXLC	SFP-1GSXLC-T*	1	-	-	-	-	-	-	-
SFP-1GLSXL	SFP-1GLSXL-T	-	1	-	-	-	-	-	-
SFP-1GLXL	SFP-1GLXL-T	-	-	1	-	-	-	-	-
SFP-1GLHL	SFP-1GLHL-T	-	-	-	1	-	-	-	-
SFP-1GLHLX	SFP-1GLHLX-T	-	-	-	-	1	-	-	-
SFP-1GZXL	SFP-1GZXL-T	-	-	-	-	-	1	-	-
SFP-1GEZXL	-	-	-	-	-	-	-	1	-
SFP-1GEZXL-120	-	-	-	-	-	-	-	-	1

\*SFP-1GSXLC-T: -20 to 75°C operating temperature

**WDM-type (BiDi) SFP Modules**

Available Models		Port Interface					
Standard Temperature (0 to 60°C)	Wide Temperature (-40 to 85°C)	1000BaseSFP, LC Connector, 10 km		1000BaseSFP, LC Connector, 20 km		1000BaseSFP, LC Connector, 40 km	
		TX 1310 nm, RX 1550 nm	TX 1550 nm, RX 1310 nm	TX 1310 nm, RX 1550 nm	TX 1550 nm, RX 1310 nm	TX 1310 nm, RX 1550 nm	TX 1550 nm, RX 1310 nm
SFP-1G10ALC	SFP-1G10ALC-T	1	-	-	-	-	-
SFP-1G10BLC	SFP-1G10BLC-T	-	1	-	-	-	-
SFP-1G20ALC	SFP-1G20ALC-T	-	-	1	-	-	-
SFP-1G20BLC	SFP-1G20BLC-T	-	-	-	1	-	-
SFP-1G40ALC	SFP-1G40ALC-T	-	-	-	-	1	-
SFP-1G40BLC	SFP-1G40BLC-T	-	-	-	-	-	1

**Available Models**

The SFP-1G series modules can be used with the following products:

ICS-G7850A/G7852A series, ICS-G7850/G7852 series, ICS-G7750A/G7752A series, ICS-G7750/G7752 series, IM-G7000A-4GSFP, IM-G7000-4GSFP, ICS-G7826A/G7828A series, ICS-G7826/G7828 series, ICS-G7526A/G7528A series, ICS-G7526/G7528 series, IKS-G6524A/G6824A series, IKS-G6524/G6824 series, IKS-6726A/6728A series, IKS-6726/6728 series, IM-2GSFP, EDS-611/619 series, EDS-G516E series, EDS-G512E series, EDS-G509 series, EDS-518A series, EDS-510A series, EDS-510E series, EDS-G308 series, EDS-210A series, IKS-6728A-8PoE series, IKS-6728-8PoE series, EDS-P510A-8PoE series, EDS-P510 series, EDS-G205A-4PoE series, PM-7200-2G/4G series, PT-G7509 series, IMC-101G series, EDR-G903/G902 series, EDR-810 series

**Package Checklist**

- SFP-1G module
- Warranty card

# SFP-1FE Series

## 1-port Fast Ethernet SFP modules



- > IEEE 802.3u compliant
- > Differential PECL inputs and outputs
- > TTL signal detect indicator
- > Hot pluggable LC duplex connector
- > Class 1 laser product; complies with EN 60825-1



### Specifications

#### Interface

Ethernet Ports: 1

Connectors: Duplex LC Connector

#### Optical Fiber

	Fast Ethernet		
	SFP-M	SFP-S	SFP-L
Wavelength	1300 nm	1310 nm	1550 nm
Max. TX	-8 dBm	0 dBm	0 dBm
Min. TX	-18 dBm	-5 dBm	-5 dBm
RX Sensitivity	-34 dBm	-34 dBm	-34 dBm
Link Budget	26 dB	29 dB	29 dB
Typical Distance	4 km <sup>a</sup>	40 km <sup>b</sup>	80 km <sup>b</sup>
Saturation	0 dBm	-3 dBm	-3 dBm

a. 50/125 μm or 62.5/125 μm, 800 MHz \* km @ 1300 nm multi-mode fiber optic cable  
 b. 9/125 μm single-mode fiber optic cable

#### Environmental Limits

**Operating Temperature:** -40 to 85°C (-40 to 185°F)

**Storage Temperature:** -40 to 85°C (-40 to 185°F)

**Ambient Relative Humidity:** 5 to 95% (non-condensing)

#### Standards and Certifications

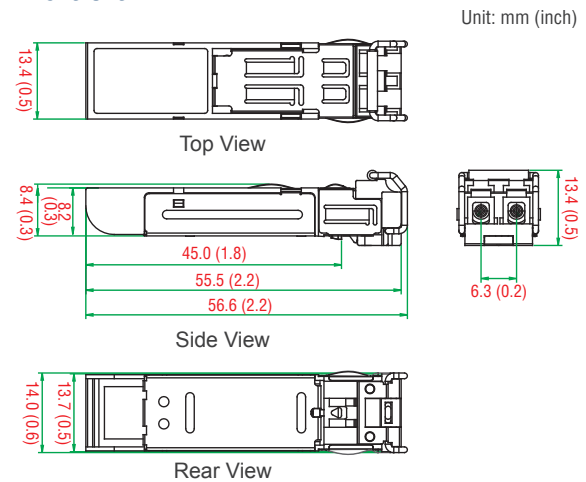
Safety: UL 60950-1, TÜV

#### Warranty

Warranty Period: 5 years

Details: See [www.moxa.com/warranty](http://www.moxa.com/warranty)

#### Dimensions



### Ordering Information

Available Models	Port Interface			
	Wide Temperature (-40 to 85°C)	100BaseFX, Multi-mode, LC Connector, 4 km	100BaseFX, Single-mode, LC Connector, 40 km	100BaseFX, Single-mode, LC Connector, 80 km
SFP-1FEMLC-T		1	-	-
SFP-1FESLC-T		-	1	-
SFP-1FELLC-T		-	-	1

#### Available Models

The SFP-1FE series modules can be used with the following products:

IM-G7000A-4GSFP, IM-G7000-4GSFP, ICS-G7826A/ G7828A series, ICS-G7826/G7828 series, ICS-G7526A/G7528A series, ICS-G7526/G7528 series, IKS-G6524A/G6824A series, IKS-G6524/G6824 series, IKS-6726A/6728A series, IKS-6726/6728 series, IM-6700A-8SFP, IM-6700-8SFP, EDS-611/619 series, EDS-G516E series, EDS-G512E series, EDS-G509 series, EDS-510E series, EDS-G308-2SFP, EDS-210A series, IKS-6728A-8PoE series, IKS-6728-8PoE series, EDS-P510A-8PoE series, EDS-P510 series, PM-7200-8SFP, EDR-G903/G902 series

#### Package Checklist

- SFP-1FE module
- Warranty card